

110° TELEVISION PICTURE TUBE WITH INTEGRAL PROTECTION

Direct viewing television picture tube with metal backed screen, electrostatic focusing, 110° magnetic deflection and with an integral protection against dangerous mechanical tube failures, so that no separate safety panel is required. The tube is provided with four metal mounting lugs to facilitate mounting into the cabinet.

HEATING: Indirect by A.C. or D.C.; series or parallel supply

Heater voltage $V_f = 6.3 \text{ V}$

Heater current $I_f = 0.3 \text{ A}$

If the tube is used in a series heater chain the surge heater voltage should not exceed 9.5 V (R.M.S.) when the supply is switched on. If necessary, a current limiting device must be used to ensure that this value is not exceeded.

CAPACITANCES

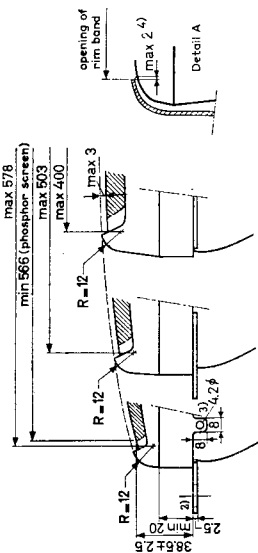
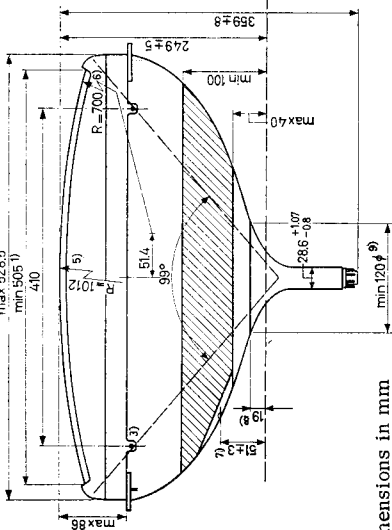
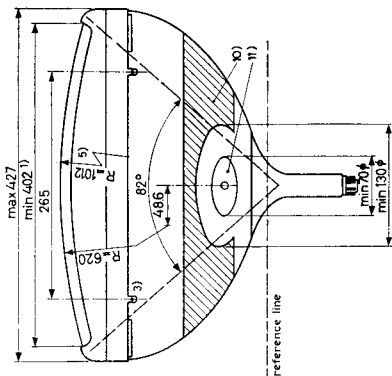
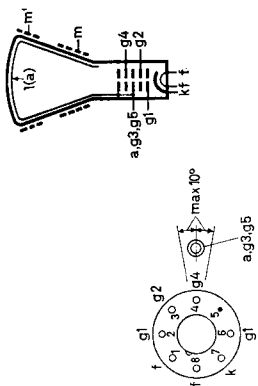
Grid No.1 to all other electrodes	C_{g1}	=	6 pF
Cathode to all other electrodes	C_k	=	4 pF
External conductive coating to final accelerating electrode	C_{m-a, g_3, g_5}	>	1700 pF
		<	2500 pF
Metal band to final accelerating electrode	$C_{m'-a, g_3, g_5}$	=	350 pF

SCREEN

Metal backed	
Luminescence	white
Light transmission	53%
Useful diagonal	min. 566 mm
Useful width	min. 489 mm
Useful height	min. 385 mm

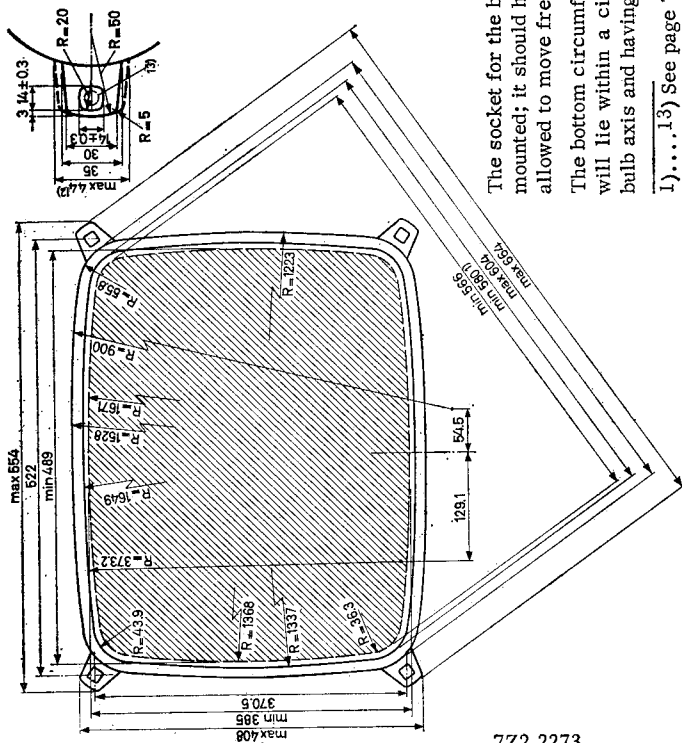
For curves of the screen properties please refer to front of this section.

7Z2 2271



Dimensions in mm

722 2272



Dimensions in mm

Base: Small-button neo
eigitar

Mounting position: any

Net weight 11 kg

The socket for the base should not be rigidly mounted; it should have flexible leads and be allowed to move freely.

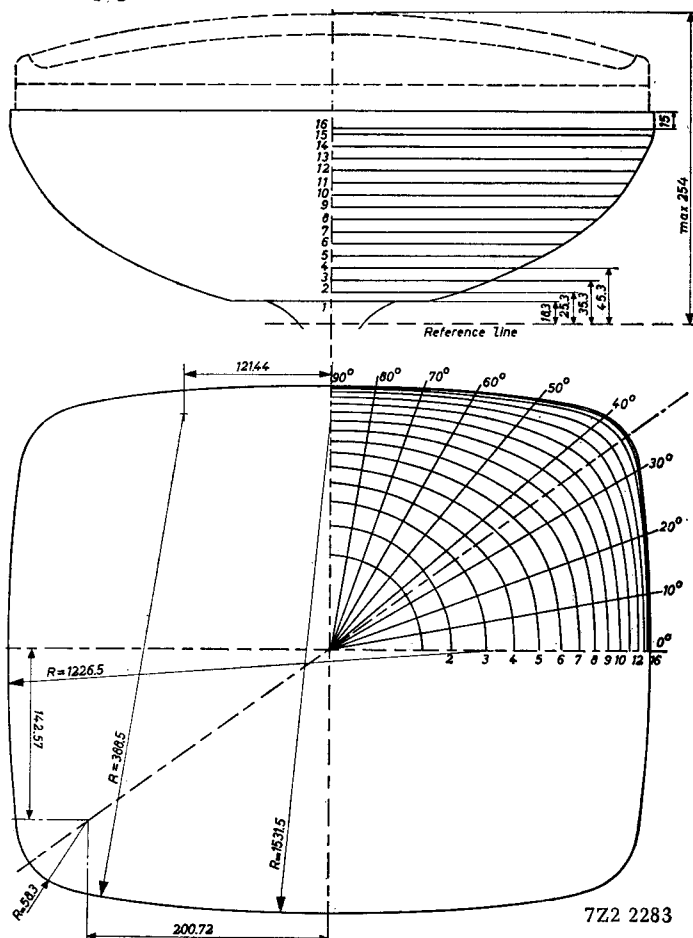
The bottom circumference of the base wafer will lie within a circle concentric with the bulb axis and having a diameter of 40 mm.

1)...13) See page 7.

7Z2 2273

MAXIMUM CONE CONTOUR DRAWING (dimensions in mm)

See also page 5.



MAXIMUM CONE CONTOUR DRAWING (continued)

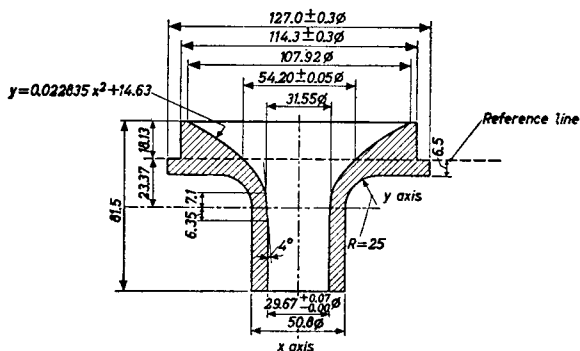
All dimensions (in mm) are maximum values, unless otherwise specified

Section	Nom. height above ref. line	Long axis 0°	10°	20°	30°	Dia- gonal 35° 23'	40°	50°	60°	70°	80°	Short axis 90°
1	18.3	82.5	82.5	82.5	82.5	82.5	82.5	82.5	82.5	82.5	82.5	82.5
2	25.3	107.3	107.2	106.7	105.5	105.0	104.6	104.0	103.6	102.8	102.3	102.3
3	35.3	135.0	135.3	135.2	132.9	131.3	129.6	127.2	124.9	123.9	123.9	123.9
4	45.3	158.0	158.4	158.8	155.1	152.1	149.8	144.6	141.1	139.5	139.3	139.3
5	55.3	178.4	179.0	179.1	175.6	171.6	168.4	161.4	156.6	153.8	152.5	152.2
6	65.3	196.0	197.0	197.3	194.6	190.0	186.0	177.7	171.1	166.3	164.0	163.1
7	75.3	210.8	212.0	213.4	211.6	206.7	202.2	192.6	183.7	177.4	174.0	172.4
8	85.3	223.3	225.1	228.1	227.2	222.8	217.9	206.1	194.4	187.0	182.3	180.4
9	95.3	233.2	235.2	240.1	240.7	238.0	232.7	217.8	203.96	194.4	189.3	187.1
10	105.3	240.8	243.3	249.4	253.2	252.5	246.8	228.6	212.4	200.9	195.1	192.8
11	115.3	247.2	249.7	257.0	264.9	266.2	259.9	238.3	219.9	206.7	200.2	197.7
12	125.3	253.1	255.8	264.0	275.5	278.8	272.3	247.4	226.5	212.4	205.2	202.7
13	135.3	258.4	261.4	270.4	285.4	290.2	283.5	255.7	232.9	217.8	209.9	207.5
14	145.3	263.2	266.3	276.0	293.4	299.5	293.3	263.2	238.6	222.9	214.6	211.9
15	155.3	267.06	270.3	280.3	297.8	303.7	299.3	268.9	243.7	227.6	218.9	216.1
16	160.5	267.75	270.97	280.92	298.64	304.5	300.24	270.22	244.91	228.8	219.87	217.0

7Z2 2282

REFERENCE LINE GAUGE

Dimensions in mm



If x and y are expressed in inches, the parabolic formula for the inner contour reads $y = 0.58 x^2 + 0.576$

The reference line is determined by the plane of the upper edge of the flange of the reference line gauge when the gauge is resting on the cone.

FOCUSING electrostatic

DEFLECTION magnetic

Diagonal deflection angle 110°

Horizontal deflection angle 99°

Vertical deflection angle 82°

PICTURE CENTRING MAGNET

Field intensity perpendicular to the axis for centring of the picture should be adjustable from 0 to 10 Oersteds.

Distance between centre of the field of the magnet and the reference line max. 57 mm.

The centring magnet should be mounted as close to the deflection coils as possible.

-7Z2 2142

Notes from pages 2 and 3

- 1) Opening of metal rim band (see detail A). Eccentricity with respect to centre of screen max. 1.5 mm.
- 2) The position of the mounting screw in the cabinet will be within a circle of 9.5 mm diameter.
- 3) Opening of coating at end of free zone.
- 4) Meniscus of resin filler on screen.
- 5) Small cavity contact.
- 6) End of free zone. The maximum contour from reference line towards screen is given by the reference line gauge (18.13 mm).
- 7) The mounting lug is situated within this distance.
- 8) The screen radius of 700 mm applies to the major axis and the diagonal.
- 9) The screen radius of 1012 mm applies to the centre area of the screen.
- 10) This area must be kept clean.
- 11) The deviation of any lug with respect to the plane through the other three lugs is max. 2 mm.
- 12) 8 tags for earthing the rim band. The metal rim band must be earthed by means of these tags. No electrical contact between the band and the mounting lugs can be guaranteed.
- 13) The configuration of the external conductive coating is optional but contains the contact area shown in the drawing.
The external conductive coating must be earthed. 7Z2 2284

GRID DRIVE SERVICE

Voltages are specified with respect to the cathode.

OPERATING CHARACTERISTICS

Final accelerator voltage	$V_{a, g_3, g_5} =$	18	18 kV
Grid No.2 voltage	$V_{g_2} =$	400	500 V
Grid No.4 voltage	$V_{g_4} =$	0 to 400	0 to 400 V ¹⁾
Negative grid No.1 voltage for visual extinction of focused raster	$-V_{g_1} =$	40 to 77	50 to 93 V

LIMITING VALUES (Design centre limits)

Final accelerator voltage at $I_{a, g_3, g_5} = 0 \mu A$	$V_{a, g_3, g_5} =$	max.	18 kV
Final accelerator voltage	$V_{a, g_3, g_5} =$	min.	11 kV ²⁾
Grid No.4 voltage			
positive value	$V_{g_4} =$	max.	1000 V
negative value	$-V_{g_4} =$	max.	500 V
peak positive value	$V_{g_4 p} =$	max.	2500 V ³⁾
Grid No.2 voltage	$V_{g_2} =$	max.	550 V
		min.	350 V
Grid No.1 voltage			
negative value	$-V_{g_1} =$	max.	150 V
positive value	$+V_{g_1} =$	max.	0 V
peak negative value	$-V_{g_1 p} =$	max.	400 V ³⁾
peak positive value	$+V_{g_1 p} =$	max.	2 V

1) Voltage range necessary for optimum overall focus at $100 \mu A$ beam current.

2) Absolute limit.

3) Maximum pulse duration = 22% of a cycle, but maximum 1.5 msec.

7Z2 2055

LIMITING VALUES (Design centre limits) (continued)

Cathode to heater voltage

cathode positive	V_{kf} (k pos) = max. 250 V ⁵⁾⁶⁾
cathode negative	V_{kf} (k neg) = max. 135 V ⁵⁾
peak value, cathode positive	V_{kfp} (k pos) = max. 300 V
peak value, cathode negative	V_{kfp} (k neg) = max. 180 V

CATHODE DRIVE SERVICE

Unless otherwise stated, voltages are with respect to grid No.1.

OPERATING CHARACTERISTICS

Final accelerator voltage	V_{a, g_3, g_5} =	18	18 kV
Grid No.2 voltage	V_{g_2} =	400	500 V
Grid No.4 voltage	V_{g_4} =	0 to 400	0 to 400 V ¹⁾
Cathode voltage for visual extinction of focused raster	V_k =	36 to 66	45 to 79 V

1) Voltage range necessary for optimum overall focus at 100 μ A beam current.

5) In order to avoid excessive hum the A.C. component of the heater to chassis voltage should be as low as possible and must not exceed 20 V (R.M.S.).

6) During an equipment warm-up period not exceeding 15 sec V_{kf} is allowed to rise to 410 V. Between 15 and 45 seconds after switching on a decrease in V_{kf} proportional with time from 410 V to 250 V is permissible.

7Z2 2056

CATHODE DRIVE SERVICE (continued)

Unless otherwise stated, voltages are with respect to grid No.1.

LIMITING VALUES (Design centre limits)

Final accelerator voltage at $I_{a, g_3, g_5} = 0 \mu A$	V_{a, g_3, g_5}	= max.	18 kV
Final accelerator voltage	V_{a, g_3, g_5}	= min.	11 kV ²⁾
Grid No.4 voltage			
positive value	V_{g_4}	= max.	1000 V
negative value	$-V_{g_4}$	= max.	500 V
peak positive value	$V_{g_4 p}$	= max.	2500 V ³⁾
Grid No.2 voltage	V_{g_2}	= max.	700 V
Grid No.2 to cathode voltage	V_{g_2-k}	= max.	550 V ⁴⁾
		= min.	350 V ⁴⁾
Cathode voltage			
positive value	V_k	= max.	150 V
negative value	$-V_k$	= max.	0 V
peak positive value	V_{kp}	= max.	400 V ³⁾
peak negative value	$-V_{kp}$	= max.	2 V
Cathode to heater voltage			
cathode positive	V_{kf} (k pos)	= max.	250 V ⁵⁾⁶⁾
cathode negative	V_{kf} (k neg)	= max.	135 V ⁵⁾
peak value, cathode positive	V_{kfp} (k pos)	= max.	300 V
peak value, cathode negative	V_{kfp} (k neg)	= max.	180 V

2) Absolute limit.

3) Maximum pulse duration = 22% of a cycle, but maximum 1.5 msec.

4) At max. beam current ($V_{k-g_1} = 0 V$)

5)6) See page 7.

7Z2 2057

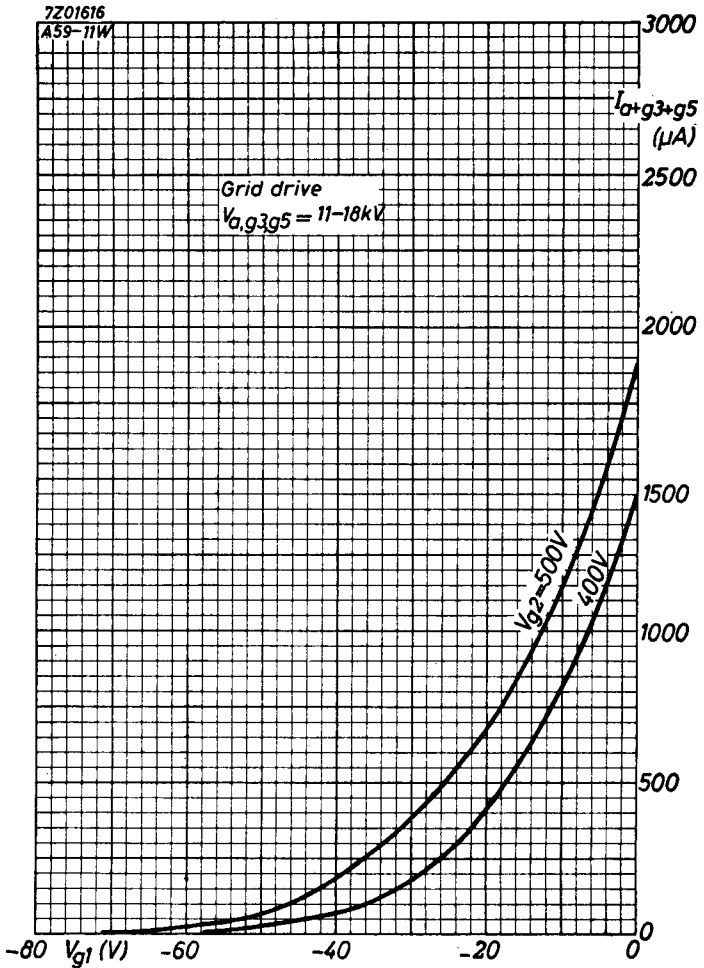
CIRCUIT DESIGN VALUES for both grid drive service and cathode drive service

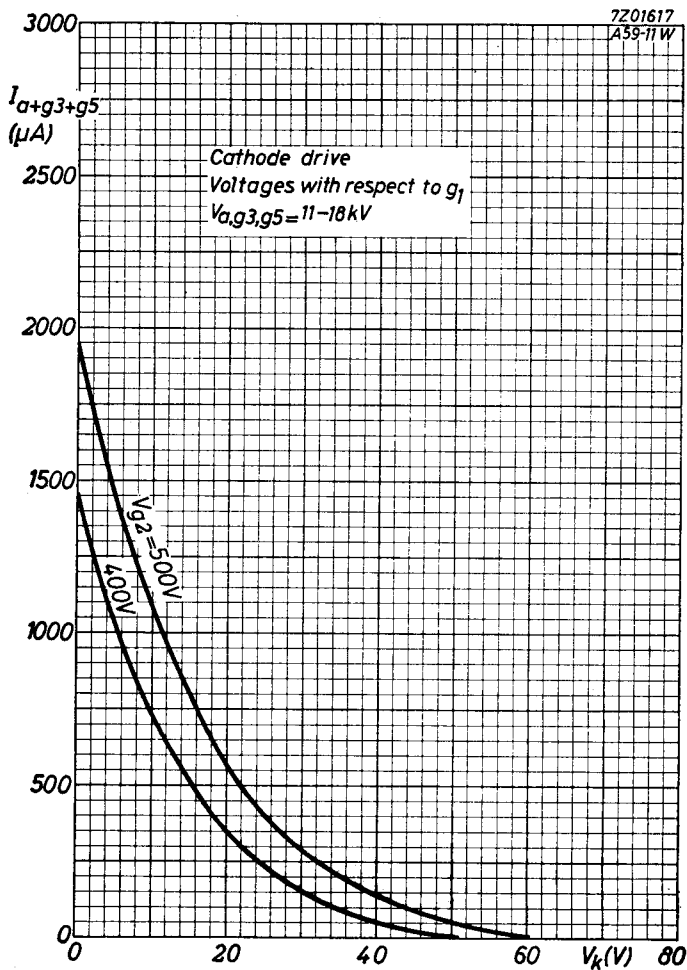
Positive grid No.4 current	I_{g4}	= max. 25 μ A
Negative grid No.4 current	$-I_{g4}$	= max. 25 μ A
Positive grid No.2 current	I_{g2}	= max. 5 μ A
Negative grid No.2 current	$-I_{g2}$	= max: 5 μ A

MAX. CIRCUIT VALUES for both grid drive service and cathode drive service

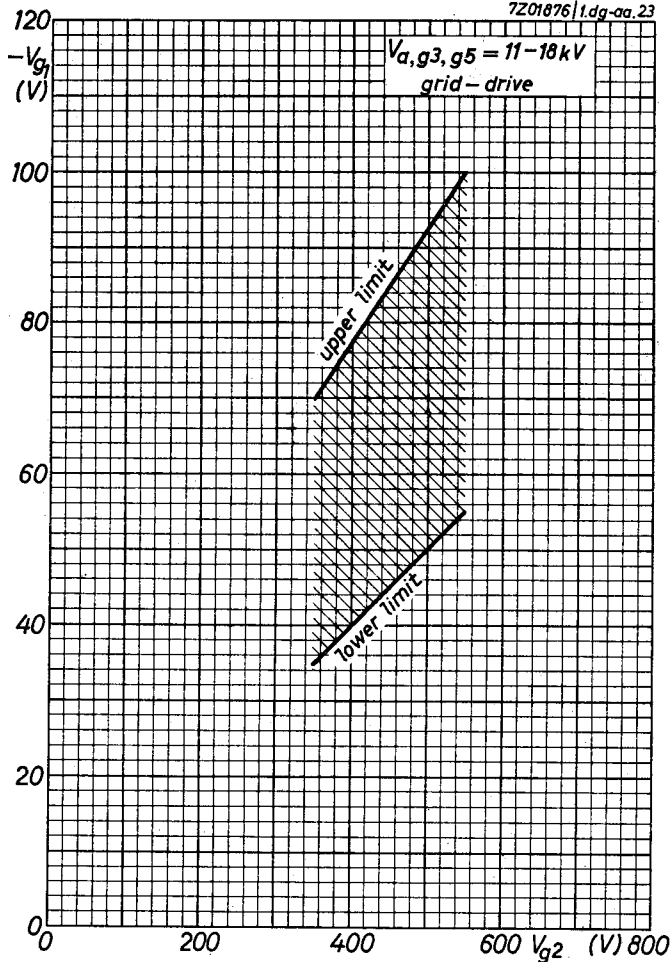
Grid No.1 circuit resistance	R_{g1}	= max. 1.5 M Ω
Grid No.1 circuit impedance	Z_{g1} (f = 50 c/s)	= max. 0.5 M Ω
Resistance between cathode and heater	R_{kf}	= max. 1 M Ω
Impedance between cathode and heater	Z_{kf} (f = 50 c/s)	= max. 0.1 M Ω

7Z2 2058

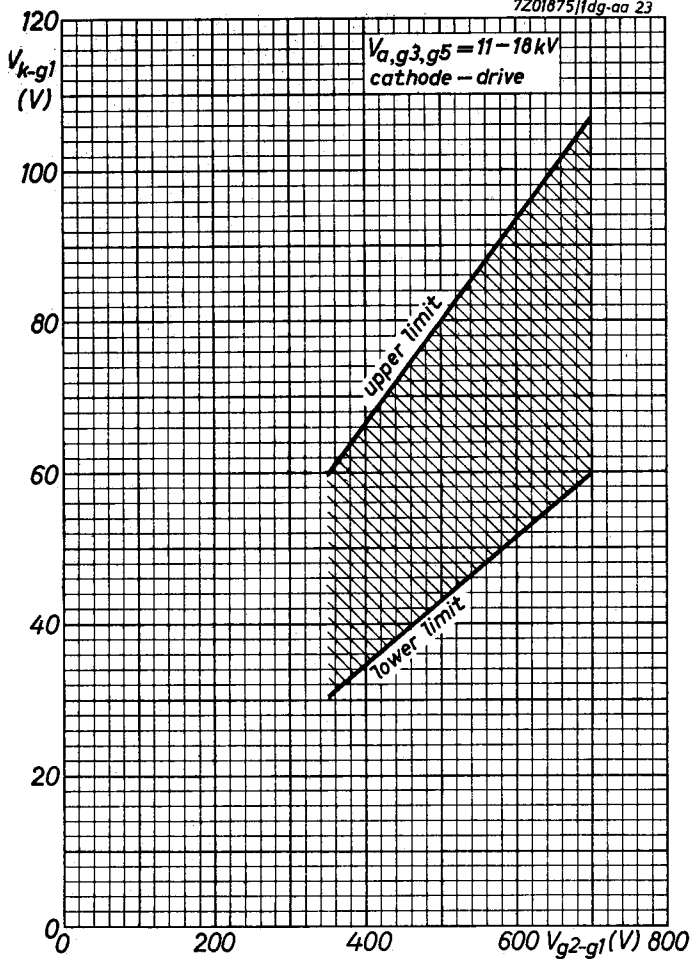




7201876/1.dg-aa.23



7Z01875/1dg-aa 23



PHILIPS

*Electronic
Tube*

HANDBOOK

A59-11W

page	sheet	date
1	1	1964.02.02
2	2	1964.02.02
3	3	1964.02.02
4	4	1964.02.02
5	5	1964.02.02
6	6	1964.02.02
7	7	1964.02.02
8	8	1964.02.02
9	9	1964.02.02
10	10	1964.02.02
11	11	1964.02.02
12	A	1964.02.02
13	B	1964.02.02
14	C	1964.02.02
15	D	1964.02.02
16	FP	2000.03.06