

—Standard Valves—

3A/102-B

VALVE TYPE 3A/102-B

(Previously coded VLS.407 valve).

TRIODE.

SPECIFICATION.

Cathode.

Indirectly heated oxide coated.
Constant current type.

Base.

Small British 5 pin.
Anode connected to top cap type B.

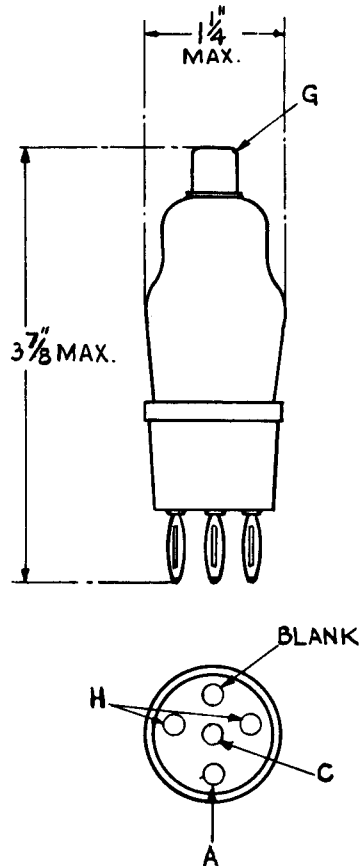
Dimensions.

Max. overall length $3\frac{7}{8}$ " (9.8 cms.)
Max. bulb diameter $1\frac{1}{4}$ " (3.2 cms.)

Constants.

Heater current 1.0 amp.
Nominal heater voltage 2.1 volts
*Amplification factor 30
*Mutual conductance 0.5 mA. per volt
*Impedance 60,000 ohms
Grid-anode capacity 1.7 $\mu\mu\text{F}$.
Grid-cathode capacity 1.5 $\mu\mu\text{F}$.
Anode-cathode capacity 3.9 $\mu\mu\text{F}$.

* at $V_p = 130$ volts, $I_p = 0.75$ mA.



LIMITING CONDITIONS FOR SAFE OPERATION.

Maximum direct anode voltage 190 volts
Maximum direct anode current 1.5 mA.

Tentative data

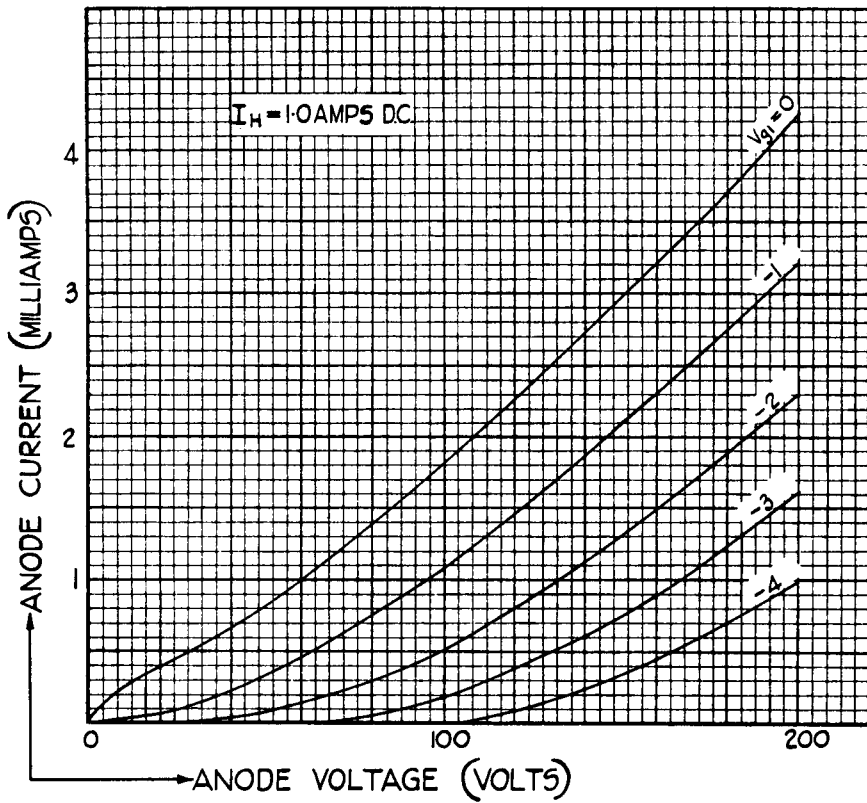
W.3A/102-B.1
March, 1939

—Standard Valves—

TYPICAL OPERATING CONDITIONS.

Anode voltage volts	Grid Bias volts	Anode Current mA.	Load Resistance ohms	Output voltage peak volts	Total harmonic distortion in db below fundamental
130	—2	1.0	80,000	27	35
			160,000	38	32
			240,000	41	31
130	—1	1.7	50,000	15	34
			100,000	20	31
			150,000	23	32
160	—3	0.9	80,000	40	36
			160,000	57	32
			240,000	62	32
160	—1	2.3	40,000	15	33
			80,000	21	32
			120,000	24	31
190	—3	1.4	50,000	42	36
			100,000	63	32
			150,000	68	31
190	—2	2.1	40,000	30	33
			80,000	43	31
			120,000	48	32

—Standard Valves—



PRINTED IN
ENGLAND