

Mullard PICTURE TUBE

MW39-3

PICTURE TUBE FOR TELEVISION RECEPTION

15 - Inch Screen

Heater $V_f = 6.3$ V ←
 $I_f = 0.65$ A ←

Capacity $C_g = 13.0$ μ F

Fluorescent Colour - White

Deflection - Double Electromagnetic

→ Operating Conditions

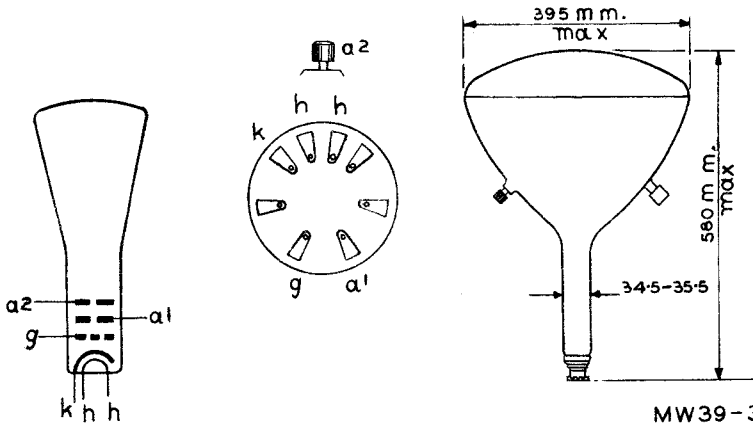
V_{a2} 6000 6000 V
 V_{al} 125 250 V
 $-V_g$ 0-50 0-100 V

→ With centre of deflection coils 349 mm. from the screen, the deflection sensitivity is 0.13 L mm. per gauss.

L = length of the electron path through the field of the deflection coil (mm).

Limiting Values

V_{a2} max 6000 V
 V_{al} max 250 V
 I_{a2} max 100 μ A ←
 Screen dissipation (peak) 10 mW/cm^2 ←
 Screen dissipation (continuous) 2 mW/cm^2 ←



MW39-3

MW39-3

Mullard PICTURE TUBE

